



# OPTICALLY COMMUNICATING GEOCOMPASS

10

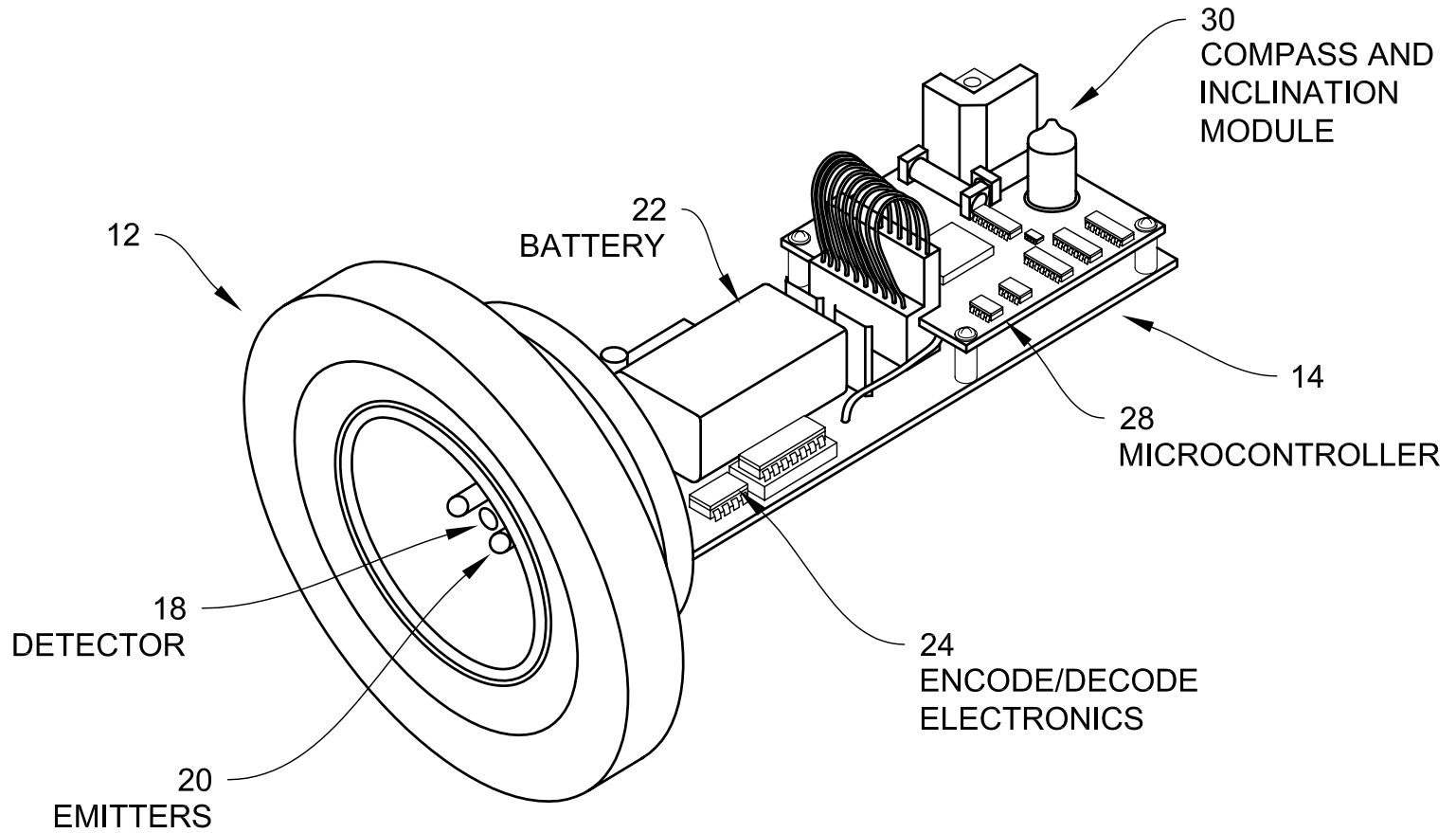


Fig. 1



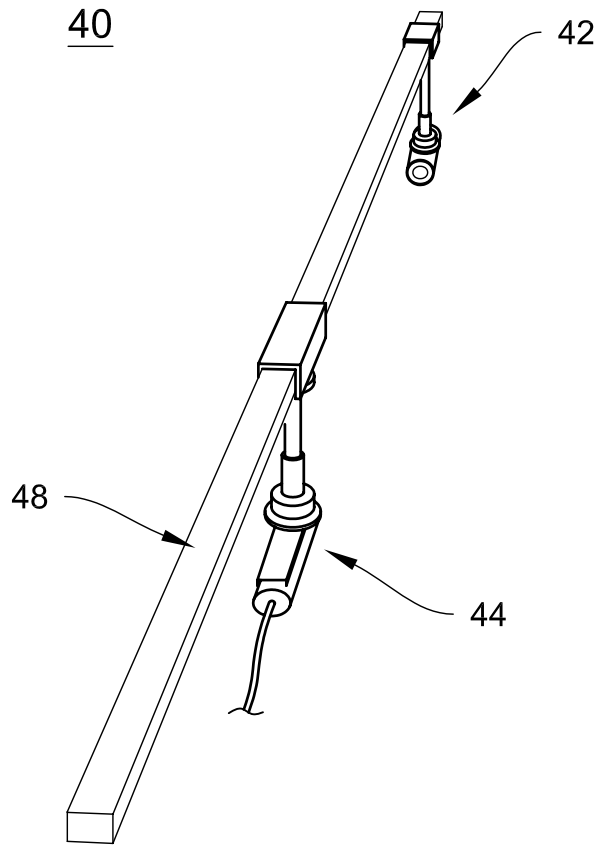


Fig. 2A

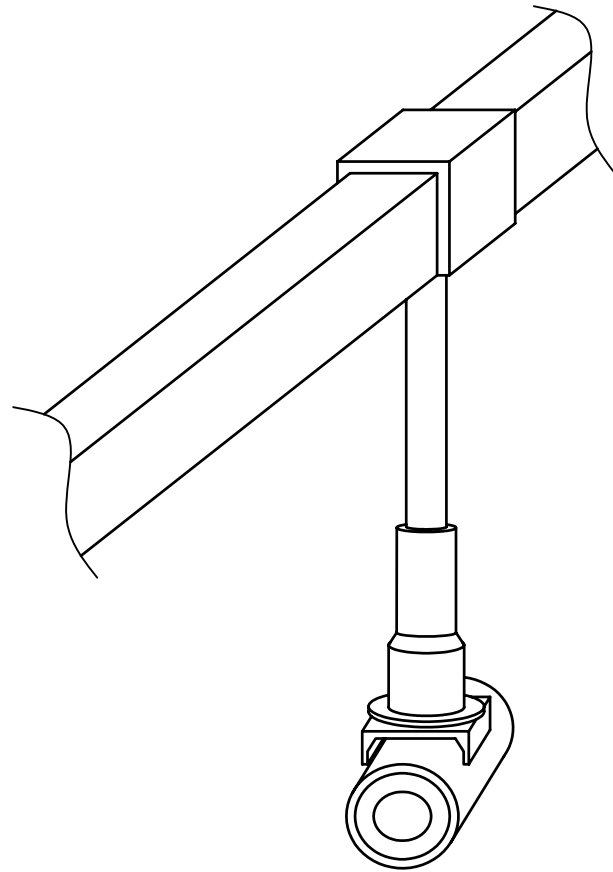


Fig. 2B





### Red/blue LED UNDERWATER COMMUNICATION RANGE

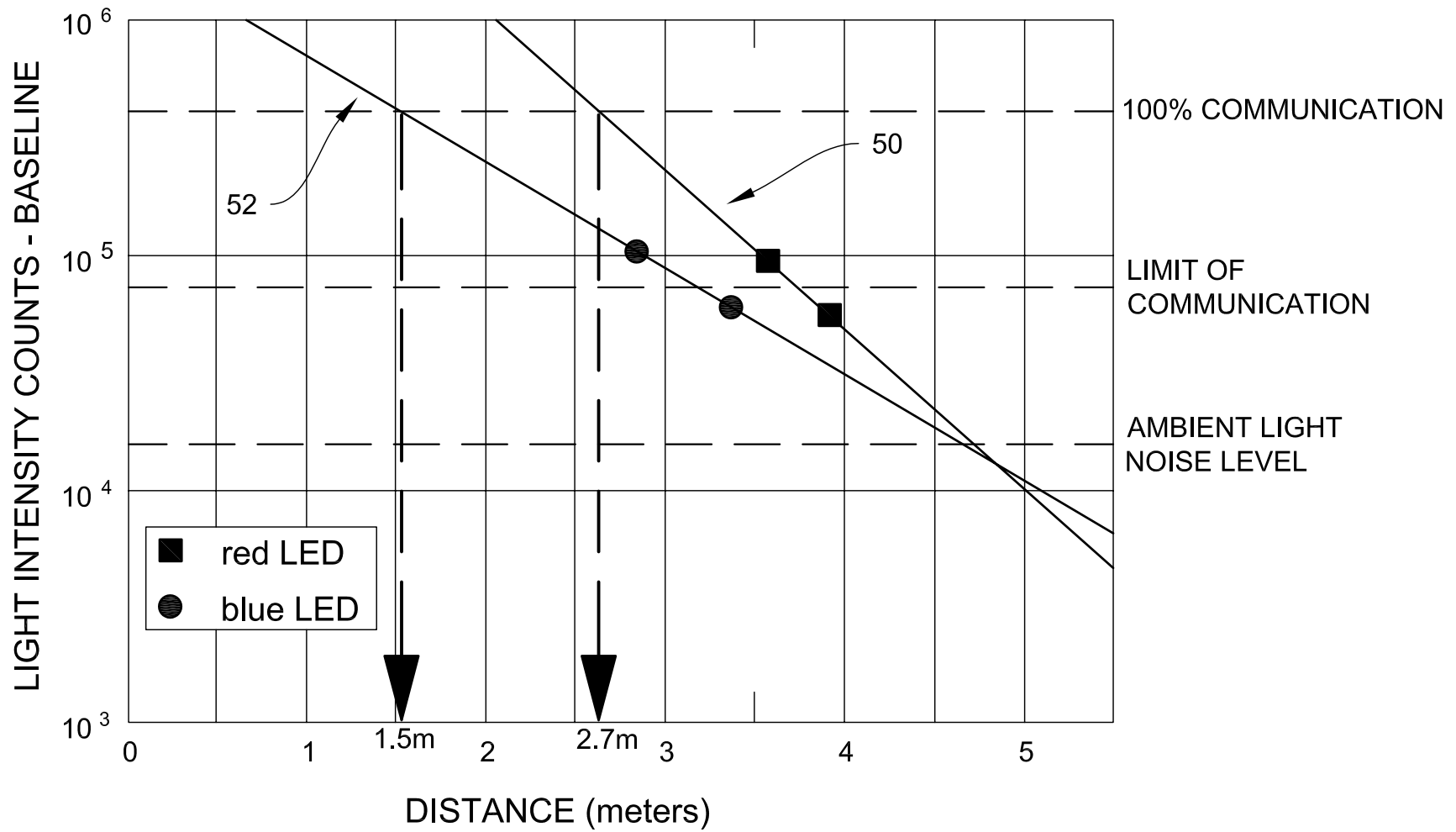


Fig. 3



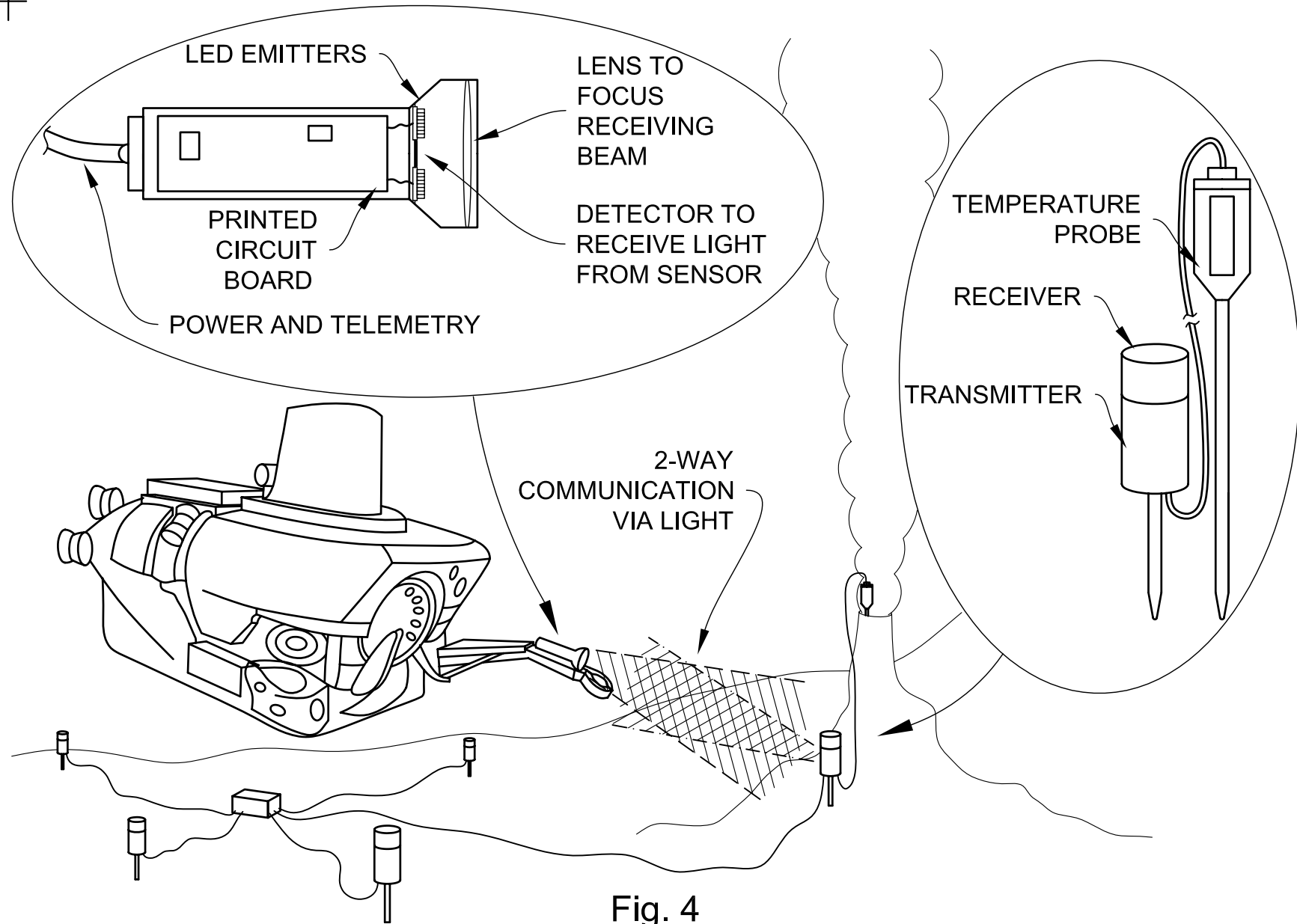


Fig. 4

